

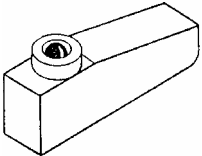
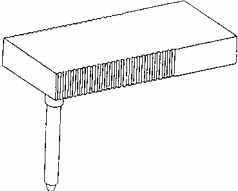
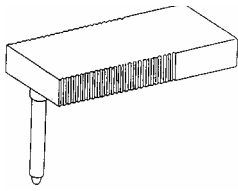


**CROWN GRAPHIC**

# MARKING SYSTEMS CATALOGUE

AUGUST 2004

PAGE Y01.01

Model	OEM Part	Our Equivalent	Pk	YAMATAKE-HONEYWELL
	234521-001 234521-002 234521-003	2R402M-R 2R402M-B 2R402M-G	10 10 10	
CR102	T00887	1FD29R08-R	5	
	T00800	1FD29C34-B	5	

CROWN GRAPHIC LTD, ST PETERS QUAY, TOTNES, DEVON, TQ9 5XH, UK

TEL : +44 (0)1803 860100 FAX : +44 (0)1803 863838 EMAIL : sales@crowng.com WEB : <http://www.crowng.com>