
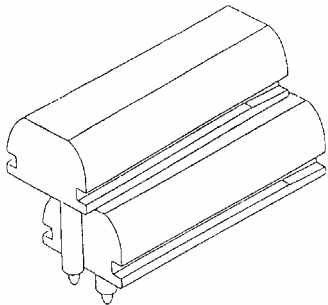
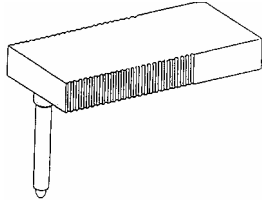
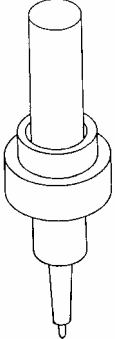




Model	OEM Part	Our Equivalent	Pk	FISHER SCIENTIFIC
13-939-10, 13-939-11, 13-939-12, 13-939-13, 13-939-14, 13-939-15, 13-939-20, 13-939-21, 13-939-22, 13-939-23, 13-939-24.	13-939-81 13-939-82 13-939-83 13-939-80	1CY51-N 1CY51-R 1CY51-B 1CY51-MIX01 (1 x N,R,B,G)	4 4 4 4	
13-939-225A, 13-939-225B, 13-939-225C, 13-939-225D, 13-939-225E, 13-939-225F, 13-939-225G, 13-939-225H MICROSCRIBE RECORDERS.	13-939-227-A 13-939-227-B 13-939-227-C 13-939-227-D 13-939-227-E 13-939-227-F 13-939-227-G 13-939-227-H	1SD3005-R 1SD3005-B 1SD3005-N 1SD3005-G 1SD3104-R 1SD3104-B 1SD3104-N 1SD3104-G	6 6 6 6 6 6 6 6	
13-939-250, 13-939-251.	13-939-252A	1FD29C09-B	5	
13-939-96, 13-939-782, 13-939-783, 13-939-785, 13-939-787 PLOTTERS.	13-940-792 13-940-793 13-940-794 13-940-798	1CY10P5-R 1CY10P5-B 1CY10P5-G 1CY10P5-N	5 5 5 5	
<div style="border: 1px solid black; padding: 5px; display: inline-block;"> <p>ALSO WE CAN SUPPLY THE CY10 FTD PEN RANGE IN EITHER P3, P7 OR RB TIPS.</p> </div>				

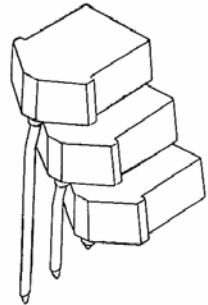


CROWN GRAPHIC

MARKING SYSTEMS CATALOGUE

AUGUST 2004

PAGE F07.02

Model	OEM Part	Our Equivalent	Pk	FISHER SCIENTIFIC
13-939-85A & B, 86A & B, 87A & B, 89A & B, 90A & B, 91A,G & E, 94A & B, 95, 109, 111, 112, 191, 192, 193, 202, 203, 204, 206.	13-939-101A	1MT081-R	1	
	13-939-101B	1MT082-B	1	
	13-939-101C	1MT083-G	1	