

# PARTLOW

## 8" CIRCULAR CHART RECORDERS - PRESSURE SENSITIVE WRITING

PRODUCT GROUP: CPW/0009

OEM PART #	ORDER REF	PRINTED	ROTATION	QTY/ PKG.	RANGE / DESCRIPTION
PSD217F	0074967	ONE SIDE	31 DAY	50	-20F TO + 80F
PSD217C	0074966	ONE SIDE	31 DAY	50	-25C TO + 25C

MANY OTHER CHARTS AVAILABLE FOR THIS RECORDER, PLEASE ENQUIRE

## 10" CIRCULAR CHART RECORDERS - INK WRITING

PRODUCT GROUP: CPW/0010

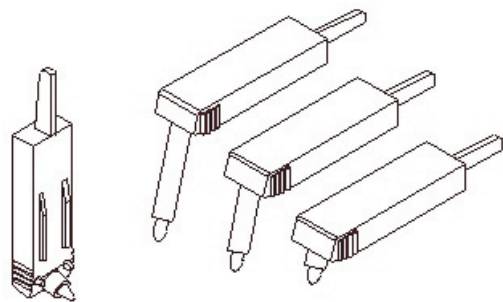
OEM PART #	ORDER REF	PRINTED	ROTATION	QTY/ PKG.	RANGE / DESCRIPTION
002-138-02	0067414	ONE SIDE	24HR	100	0-400 LINEAR
002-138-25	0066915	ONE SIDE	24HR	100	0-100 LINEAR

MANY OTHER CHARTS AVAILABLE FOR THIS RECORDER, PLEASE ENQUIRE

## 10" RECORDERS DISPOSABLE FIBRE TIPPED PENS

PRODUCT GROUP: UD13 EQUIVALENT TO 82 - 32

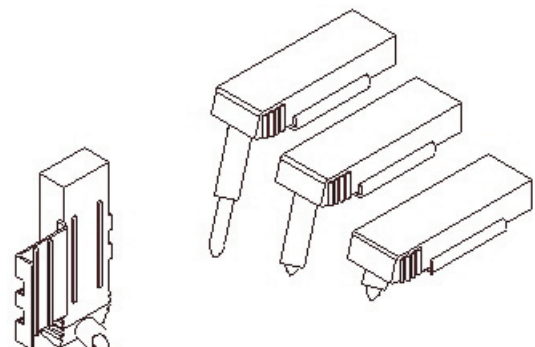
OEM PART #	ORDER REF	COLOUR	QTY/ PKG.
605-00-401	0071989	GREEN	5
605-00-402	0073879	RED	5
605-00-403	0073888	RED	5
605-00-404	0073890	RED	5
605-00-405	0073889	GREEN	5



## 10" RECORDERS DISPOSABLE FIBRE TIPPED PENS

PRODUCT GROUP: UD11 EQUIVALENT TO 82 - 32

OEM PART #	ORDER REF	COLOUR	QTY/ PKG.
605-00-401	1011418	GREEN	5
605-00-402	1011419	RED	5
605-00-403	1011443	RED	5



FOR OTHER RECORDER MODELS OR NON-STANDARD CHARTS PLEASE ENQUIRE