

LEEDS AND NORTHRUP

MODEL LN200 CIRCULAR CHARTS

PRODUCT GROUP: CLN/0010

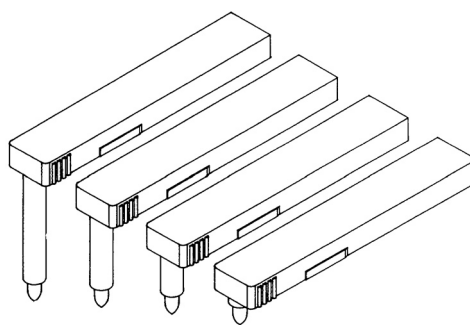
OEM PART #	ORDER REF	PRINTED	ROTATION	QTY/ PKG.	RANGE / DESCRIPTION
1074	0001841	ONE SIDE	24HR	100	0-500 LINEAR
1027	0076529	ONE SIDE	24HR	100	0-1000 LINEAR

MANY OTHER CHARTS AVAILABLE FOR THIS RECORDER, PLEASE ENQUIRE

MODEL LN200 DISPOSABLE FIBRE TIPPED PENS

PRODUCT GROUP: UD23

OEM PART #	ORDER REF	COLOUR	QTY/ PKG.
081358	0049732	BLUE	2
081359	0049733	RED	2
081360	0049734	GREEN	2
081361	0049735	BLACK	2



MODELS SPEEDOMAX 100 & 110 SERIES STRIP CHARTS

PRODUCT GROUP: RCS/0122 (ROLLS) PCS/0121 (Z-FOLDS)

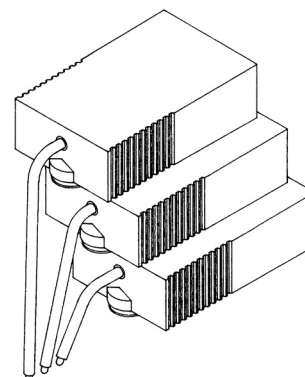
OEM PART #	ORDER REF	TYPE	UNIT LENGTH	CHART WIDTH	QTY/ PKG.	RANGE / DESCRIPTION
528-901	0068822	ROLL	1 x 32m	120mm	1 ROLL	NO RANGE 30 DIVISION
528-907	0033097	Z-FOLD	1 x 16m	120mm	2 PACKS	NO RANGE 100 DIVISION

MANY OTHER CHARTS AVAILABLE FOR THIS RECORDER, PLEASE ENQUIRE

SPEEDOMAX 100 & 110 DISPOSABLE FIBRE TIPPED PENS

PRODUCT GROUP: FD32

OEM PART #	ORDER REF	COLOUR	QTY/ PKG.
041392	0074290	RED	1
041393	0074289	BLUE	1
041394	0076161	GREEN	1



FOR OTHER RECORDER MODELS OR NON-STANDARD CHARTS PLEASE ENQUIRE

LEEDS AND NORTHRUP

SPEEDOMAX 400 & 430 SERIES STRIP CHARTS

PRODUCT GROUP: RLN/0110 (ROLLS)

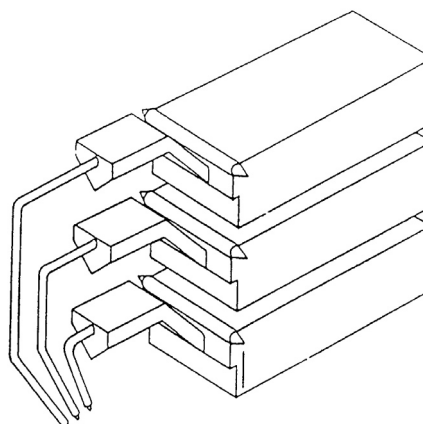
OEM PART #	ORDER REF	TYPE	UNIT LENGTH	CHART WIDTH	QTY/ PKG.	RANGE / DESCRIPTION
537104	0015840	ROLL/ink	1 x 15m	110mm	1 ROLL	0-100 LINEAR
537133	0015844	ROLL/ink	1 x 15m	110mm	1 ROLL	0-5 LINEAR

MANY OTHER CHARTS AVAILABLE FOR THIS RECORDER, PLEASE ENQUIRE

SPEEDOMAX 400 & 430 SERIES DISPOSABLE FIBRE TIPPED PENS

PRODUCT GROUP: MT09

OEM PART #	ORDER REF	COLOUR	QTY/ PKG.
018500	0049611	RED	3
018501	0049612	BLUE	3
018503	0049613	GREEN	3



MODELS 120, 130 & 140 SERIES STRIP CHARTS

PRODUCT GROUP: RLN/0110 (ROLLS)

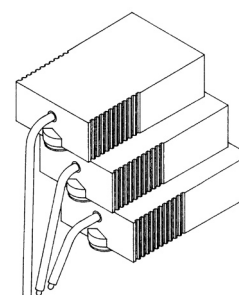
OEM PART #	ORDER REF	TYPE	UNIT LENGTH	CHART WIDTH	QTY/ PKG.	RANGE / DESCRIPTION
537-104	0015840	ROLL/ink	1 x 15m	110mm	1 ROLL	0-100 LINEAR
537-133	0015844	ROLL/ink	1 x 15m	110mm	1 ROLL	0-5 LINEAR

MANY OTHER CHARTS AVAILABLE FOR THIS RECORDER, PLEASE ENQUIRE

MODELS 120, 130 & 140 DISPOSABLE FIBRE TIPPED PENS

PRODUCT GROUP: FD32

OEM PART #	ORDER REF	COLOUR	QTY/ PKG.
041392	0074290	RED	1
041393	0074289	BLUE	1
041394	0076161	GREEN	1



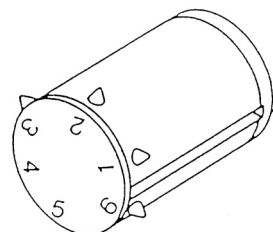
FOR OTHER RECORDER MODELS OR NON-STANDARD CHARTS PLEASE ENQUIRE

LEEDS AND NORTHRUP

PRINT WHEEL FOR MODELS 120, 130 & 140 SERIES

PRODUCT GROUP: 6PW01

OEM PART #	ORDER REF	COLOUR	QTY/ PKG.
080604	0034864	6 COLOUR VIOLET RED BLACK GREEN BLUE BROWN	1



MODELS 165 & 1650 STRIP CHARTS

PRODUCT GROUP: RLN/0221 (INK ROLLS) RLN/0220 (THERMAL)

OEM PART #	ORDER REF	TYPE	UNIT LENGTH	CHART WIDTH	QTY/ PKG.	RANGE / DESCRIPTION
544-001	0016303	ROLL/ink	1 x 37m	220mm	1 ROLL	0-100 LINEAR
543-001	0016304	ROLL/ thermal	1 x 37m	220mm	1 ROLL	0-100 LINEAR

MANY OTHER CHARTS AVAILABLE FOR THIS RECORDER, PLEASE ENQUIRE

MODELS 250 & 2500 STRIP CHARTS

PRODUCT GROUP: RLN/0306 (INK ROLLS) RLN/0305 (THERMAL)

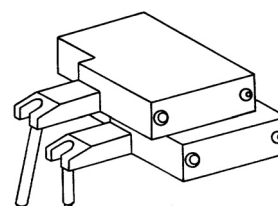
OEM PART #	ORDER REF	TYPE	UNIT LENGTH	CHART WIDTH	QTY/ PKG.	RANGE / DESCRIPTION
546-001	0016385	ROLL/ink	1 x 36m	305mm	1 ROLL	0-100 LINEAR
545-001	0016334	ROLL/ thermal	1 x 36m	305mm	1 ROLL	0-100 LINEAR

MANY OTHER CHARTS AVAILABLE FOR THIS RECORDER, PLEASE ENQUIRE

MODELS 165 & 250 DISPOSABLE FIBRE TIPPED PENS

PRODUCT GROUP: FD30 & FD31

OEM PART #	ORDER REF	COLOUR	QTY/ PKG.
020723	0049591	RED	3
020724	0052493	BLUE	3



FOR OTHER RECORDER MODELS OR NON-STANDARD CHARTS PLEASE ENQUIRE